

# ARJOHUNTLEIGH

GETINGE GROUP

## FLEXIBLE WALL TRACK SOLUTIONS

FOR THE BATHROOM



...with people in mind





## CREATE A FLEXIBLE HYGIENE ENVIRONMENT

*Flexible Wall Track Solutions* provide the optimum environment for hygiene care. Adjustable washbasins, showers, seats, benches and grab rails allow maximum use of space by people with different levels of functional mobility and also provide a safe working environment for carers. Facilities that can benefit from this solution include Day Centres where clients can adjust the equipment to their own needs, Care Homes where en suite bathrooms can be tailored to the residents' mobility level and Private Homes where the user can remain as independent as possible with provision of the right equipment.

## ENHANCE WORKING CONDITIONS

For carers involved in assisted hygiene routines, the bathroom is a workplace. In a conventional institutional bathroom the carer has to adapt to the limitations of the equipment and workspace.

With *Flexible Wall Track Solutions*, the carer can simply adapt the bathroom by positioning, repositioning or removing equipment to create a safer, more efficient place to work.

## MAINTAIN RESIDENT MOBILITY

The flexibility of the *Flexible Wall Track Solutions* system ensures the private bathroom can be configured to an individual resident's needs. A bathroom with the right equipment in the right position allows residents to be as independent as possible, helping them to maintain mobility and enhancing their quality of life.

## LIGHTEN THE LOAD

With an environment that stimulates existing mobility, residents are healthier and more active. This means they require less assistance in the bathroom, reducing the physical workload for carers and the risk of strain-related injuries.

A safer environment boosts carers' job satisfaction and they work more effectively.

## IMPROVE QUALITY OF CARE

Carers are more content working in an optimised bathroom environment and the care facility benefits from greater productivity and reduced staff turnover. These positive factors lead to lower operational costs and improve quality of care. *Flexible Wall Track Solutions* provides a direct line to Positive 8\* benefits for residents, carers and care facilities.

\* For further information, see the ArjoHuntleigh Guidebook for Architects and Planners.







## SOLUTIONS IN LINE WITH RESIDENT NEEDS

***Flexible Wall Track Solutions* is a uniquely adaptable concept that allows bathroom equipment to be perfectly aligned with an individual resident's needs. Using this system, the resident always has the right equipment – no more, no less.**

### ADAPTING FOR MOBILITY

The basic bathroom installation – fixed wall rail, washbasin, mirror, shelf, shower unit and toilet – provides the starting point for the solutions adapted to specific mobility levels shown in the following pages. These mobility levels are based on The Mobility Gallery\*. This communication tool, developed by ArjoHuntleigh, uses five characters to illustrate five degrees of functional mobility.

\* Contact ArjoHuntleigh for a free copy of the Mobility Gallery

### A FLEXIBLE SYSTEM

*Flexible Wall Track Solutions* provides flexible solutions for showering, washing and toileting. Based on individual assessment, the system is adaptable for all residents, whatever their level of mobility. A *Flexible Wall Track Solutions* bathroom can be easily adapted for the changing functional mobility level of an individual resident or for a new user of the bathroom.

### THE TRACK ON THE WALL

One simple installation and the wall track is in place. This horizontal fixed track is the key to system flexibility. Equipment can be mounted anywhere along the wall track and be moved sideways by the carer when required. Height-adjustable elements, such as the washbasin, can be easily adjusted by the resident.

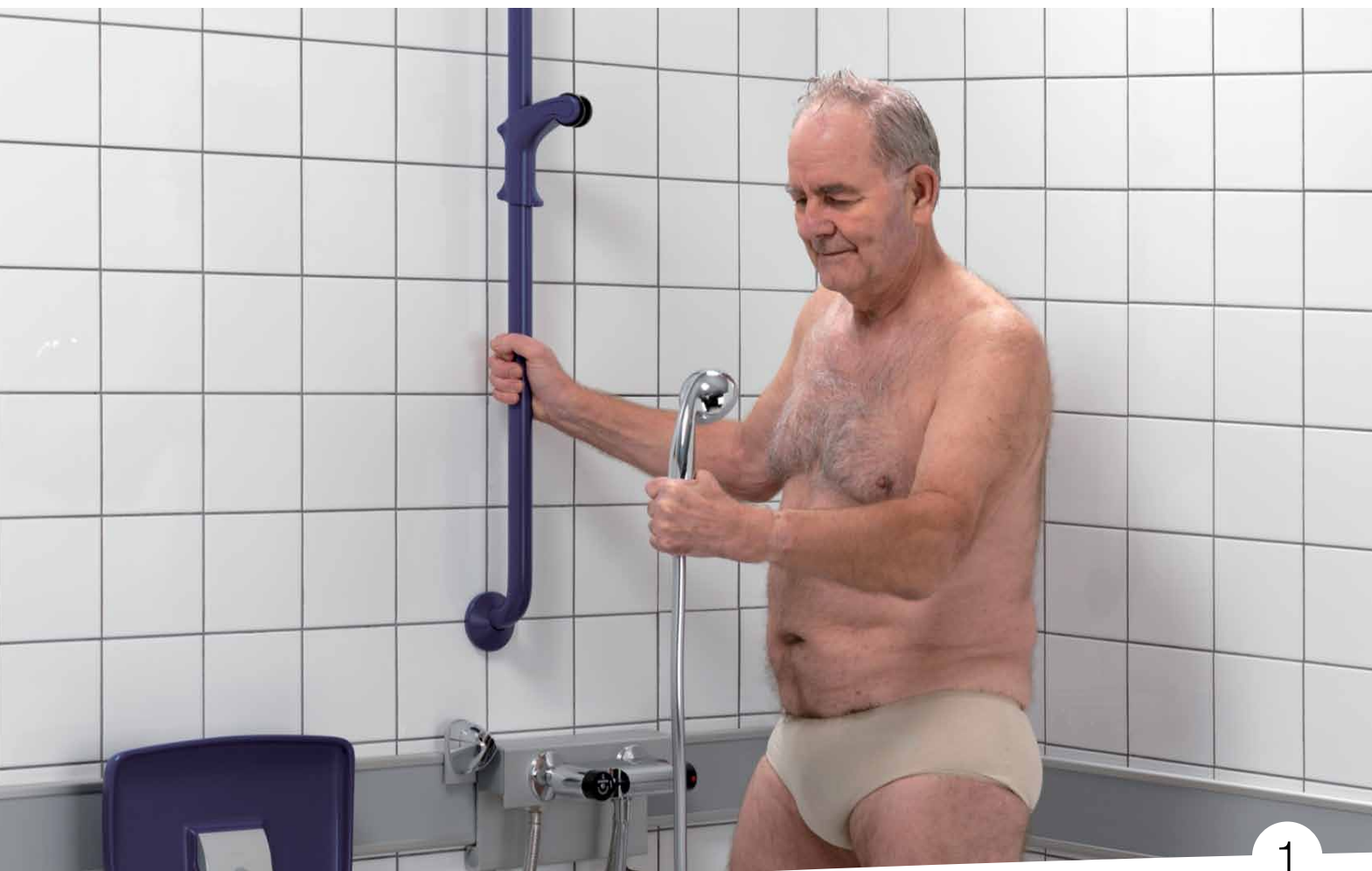
### EASY TO OPTIMISE

It is vital for resident mobility that equipment provides no more support than necessary. With *Flexible Wall Track Solutions*, equipment can be added, moved sideways along the track or removed to provide the right level of support to stimulate the resident's mobility. The removal of equipment also provides extra space for working with mobile aids.

### CHOICE OF COLOURS

Equipment mounted on the wall track is available in up to four different colours: White, Grey, Blue (RAL 5011), Red (RAL 3033).

# Optimising the bathroom for **ALBERT**



1

## PRODUCTS



SHOWER MIXER



HEIGHT-ADJUSTABLE  
WASHBASIN



HANDTRACKS



FOLDING SEAT

## CHARACTERISTICS

- Ambulatory, but may use a walking stick for support.
- Independent, can clean and dress himself.
- Usually no risk of dynamic or static overload.
- Stimulation of functional mobility is very important.



## THE COMPLETE BATHROOM

*A bathroom configured to provide a safe environment for the independent, ambulatory resident.*

### To the bathroom

Albert can walk into the bathroom unaided.



2



3

## SOLUTION FOR ALBERT

### 1 In the shower

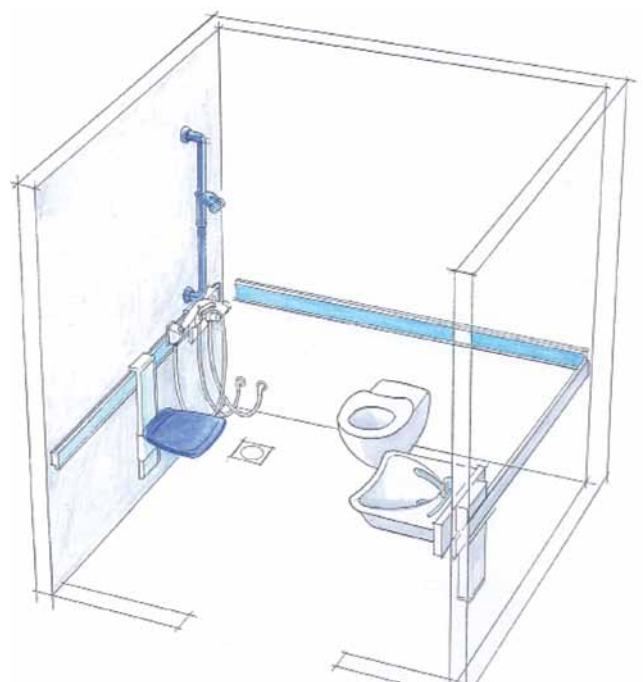
Albert needs handtracks for support and safety. He may need a folding seat to sit on, for instance when drying his feet or dressing.

### 2 By the washbasin

A height-adjustable washbasin adapted to suit the resident's height provides good security and support.

### 3 By the toilet

Support arms are normally not required.





# Optimising the bathroom for **BARBARA**



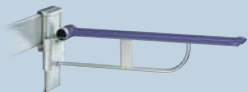
## PRODUCTS



SHOWER MIXER



SHOWER CHAIR



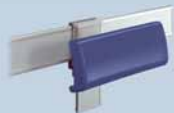
SUPPORT ARMS



HANDRAILS



HEIGHT-ADJUSTABLE  
WASHBASIN



BACKREST

## CHARACTERISTICS

- Can support herself to some degree and uses walking frame or similar.
- Dependent on carer in some situations.
- Usually no risk of dynamic overload. A risk of static overload can occur if not using proper equipment.
- Stimulation of functional mobility is very important.



## THE COMPLETE BATHROOM

*This solution gives residents who can support themselves to some degree the opportunity to be as independent as possible in the bathroom.*

### To the bathroom

Barbara can walk into the bathroom using a walking aid.

### Extra assistance

Providing grips gives Barbara reassuring support when moving around in the bathroom.





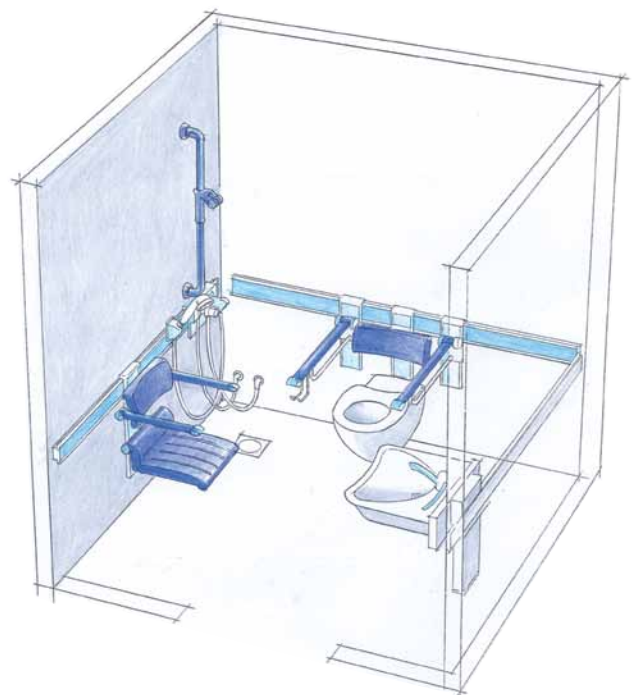
2



3

## SOLUTION FOR BARBARA

- 1** In the shower  
Barbara needs a stable shower chair with support arms.
- 2** By the washbasin  
A height-adjustable washbasin, powered by electric motor or gas cylinder, is suitable. The ergonomically shaped washbasin gives Barbara good support when standing or sitting.
- 3** By the toilet  
Support arms are needed, adjusted to the right height and width.

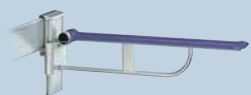


# Optimising the bathroom for **CARL**



1

## PRODUCTS



SUPPORT ARMS



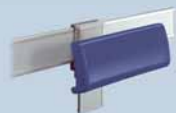
SHOWER MIXER



HEIGHT-ADJUSTABLE  
WASHBASIN



CARINO



BACKREST

## CHARACTERISTICS

- Is able to partially weight bear on at least one leg. Often sits in a wheelchair and has some trunk stability.
- Dependent on carer in most situations.
- A risk of dynamic and static overload when not using proper equipment.
- Stimulation of functional mobility is very important



## THE COMPLETE BATHROOM

*This bathroom provides the extra support and assistance that Carl needs. Removal of certain equipment provides additional space for using mobile aids.*

### To the bathroom

Carl needs the support of mobile aids in transfers and hygiene activities. A standing and raising aid (*Sara*) is the optimal method for transfers from the bed or wheelchair. The carer takes Carl into the bathroom on the *Sara*.

### Removing equipment

As mechanical aids are an integral part of the *Flexible Wall solution* solution for Carl, the shower chair with support arms can be removed to provide optimal access for the *Sara* and the mobile shower chair, *Carino*.



## SOLUTION FOR CARL

### 1 In the shower

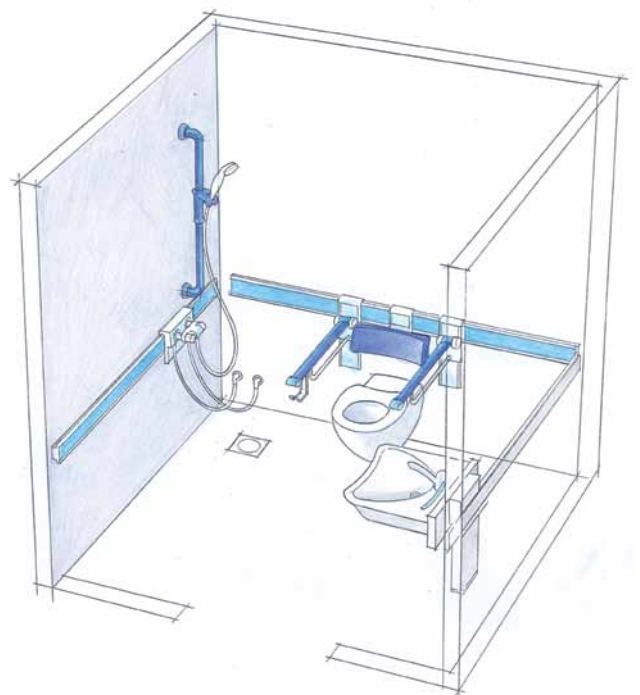
Carl needs assistance with showering. The height-adjustable shower chair, *Carino*, is suitable. Extra space can be made for showering by sliding the washbasin along the wall track.

### 2 By the washbasin

Carl can sit in his wheelchair at the height-adjustable washbasin, which can be fine-tuned vertically to the right level for his needs.

### 3 By the toilet

Support arms are probably required to provide extra security. A *Sara* is used for the toilet transfer.





# Optimising the bathroom for **DORIS**



## PRODUCTS



SHOWER MIXER



CARENDO



HEIGHT-ADJUSTABLE  
WASHBASIN

## CHARACTERISTICS

- Cannot stand and is not able to weight bear. Is able to sit if well supported.
- Dependent on carer in most situations.
- A high risk of dynamic and static overload when not using proper equipment.
- Stimulation of functional mobility is very important.



## THE COMPLETE BATHROOM

*Residents like Doris need a high degree of assistance with bathroom activities. Carendo plays an integral role in a safe solution for showering and toileting.*

### To the bathroom

Doris enters the bathroom in her wheelchair or the multi-purpose hygiene chair, *Carendo*. Transfer to *Carendo* normally takes place outside the bathroom.

### Removing equipment

The support arms by the toilet can be removed to create space for mobile equipment, *Carendo* or a passive lifter such as *Maxi Twin*.





2



3

## SOLUTION FOR DORIS

### 1 In the shower

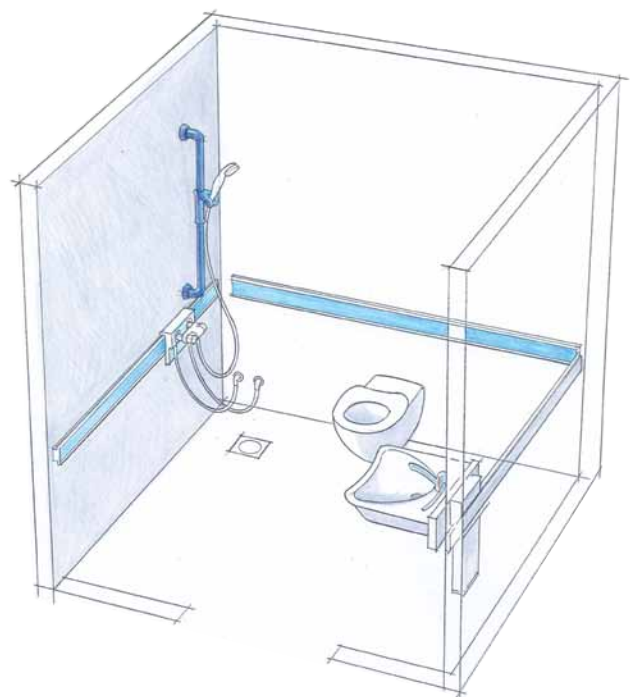
The patient is showered comfortably and with dignity in *Carendo*, which is also an ideal platform for foot care and the drying and dressing routines after showering.

### 2 By the washbasin

The height-adjustable washbasin can be set at the right level for Doris sitting in her wheelchair.

### 3 By the toilet

*Carendo* is the optimal solution for toileting and changing incontinence pads. *Maxi Twin* is a possible alternative for toileting.



# Optimising the bathroom for **EMMA**



1

## PRODUCTS



SHOWER MIXER



BASKET FOR INCONTINENCE PADS



HEIGHT-ADJUSTABLE WASHBASIN



CONCERTO

## CHARACTERISTICS

- Might be almost completely bedridden, can sit out only in a special chair.
- Always dependent on carer.
- A high risk of dynamic and static overload when not using proper equipment.
- Stimulation of functional mobility is not a primary goal.



## THE COMPLETE BATHROOM

*For passive residents such as Emma, the Concerto shower trolley is the best solution for showering, either in the private bathroom or the central bathroom.*

### Removing elements

Daily care may now be carried out mainly at the bed, so most of the equipment can be removed from the bathroom.

### Other recommendations

Provisions should be made for the storage of supplies such as incontinence pads. Equipment for cleaning and disinfecting the shower trolley should be accessible.



2

## SOLUTION FOR EMMA

### 1 In the shower

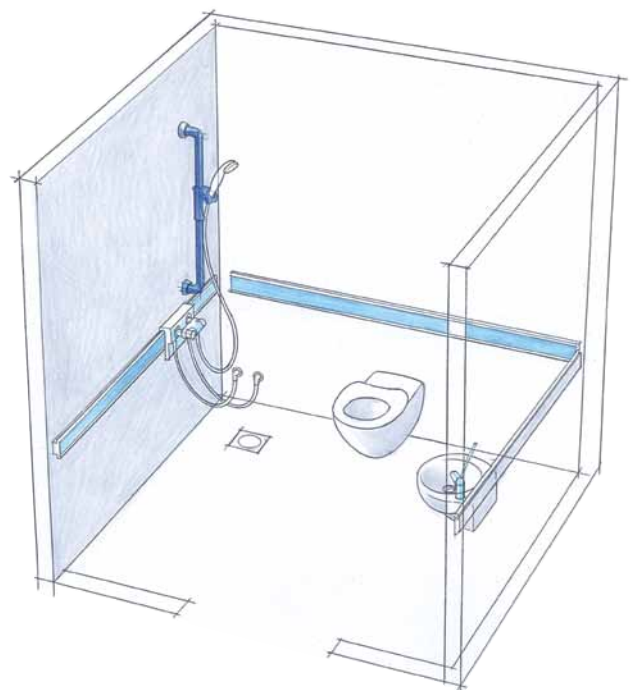
The removal of equipment can provide the necessary space for Emma to be showered on the *Concerto* shower trolley.

### 2 By the washbasin

As the washbasin is only used by the carer, a smaller model could be a space-saving alternative. Sliding the washbasin along the wall track provides possibilities to create extra working space.

### The central bathroom

Some private bathrooms may not have adequate space for showering with *Concerto*. In this case it is recommended that Emma is showered on *Concerto* in the central bathroom. *Concerto* provides a safe means of transport to the central bathroom where sufficient space should be available around the trolley for comfortable working routines during assisted showering, hair washing and pedicure. Equipment for cleaning and disinfecting the shower trolley should be accessible.









# ArjoHuntleigh – YOUR PARTNER FOR BATHROOM SOLUTIONS

*Flexible Wall Track Solutions* is a truly flexible solution for private bathrooms that generates benefits for carers, residents and care facilities.

There is a *Flexible Wall* solution for the specific needs of all mobility groups, see table 1.

## RESIDENT BENEFITS INCLUDE ...

- Promotion of independence
- Maintained mobility
- Enhanced quality of life

## CARER BENEFITS INCLUDE ...

- Less physical strain, fewer work-related injuries
- An improved working environment
- Greater job satisfaction

## COST SAVING BENEFITS FOR CARE FACILITIES INCLUDE ...

- Reduced staff turnover, because a safer working environment means more satisfied staff
- Greater productivity, as more independent residents require less time and assistance from carers
- Long-term gains from one simple, cost-effective installation



*Shower seats, backrests, handrails and support arms available in grey, red, blue or white*

# FLEXIBLE WALL TRACK SOLUTIONS PRIVATE BATHROOM SOLUTIONS

Mobility group	A	B	C	D	E
Wall track	●	●	●	●	●
Washbasin	●	●	●	●	(●)
Toilet support arms		●	●		
Shower mixer/bracket	●	●	●	●	●
Shower chair		●			
Carino			●		
Carendo				●	
Concerto					Central bathroom
Maxi Sky				●	●
<b>Accessories</b>					
Folding Seat	●				
Handtrack	●	●			
Baskets	●	●	●	●	●
Shower head holder	●	●	●	●	(●)
Back rest	(●)	●	●		
Nursing bench					●

Table 1



# ADDITIONAL SOLUTIONS TO MAKE THE MOST OF YOUR AVAILABLE SPACE

## CEILING TRACK

The *Maxi Sky* ceiling track system can be installed along with your *Flexible Wall Track* to build in a complete transfer system that is always available, but never in the way.

The new *Maxi Sky* range of lifts and ceiling track saves valuable floor space and is more versatile and technologically advanced than any other ceiling lift system available. Very easy for the carer to operate the *Maxi Sky* is available with a choice of four point clip or two point loop spreader bars and a wide range of slings. This is the ideal solution for ensuring safe and dignified transfers within the hygiene area and the bedroom for Doris and Emma.

## NURSING BENCH

The full range of *Pressalit Care* Nursing and Shower Benches is also available from ArjoHuntleigh. A wide choice of sizes and specifications means that there is a nursing bench to suit your needs. When space is at a premium a wall mounted nursing bench can provide a dignified and comfortable showering and changing solution for Emma.



ArjoHuntleigh is proud to work in partnership with **PRESSALIT.**  
care

# ARJOHUNTLEIGH

## GETINGE GROUP

[www.ArjoHuntleigh.co.uk](http://www.ArjoHuntleigh.co.uk)

**GETINGE GROUP** is a leading global provider of products and systems that contribute to quality enhancement and cost efficiency within healthcare and life sciences. We operate under the three brands of **ArjoHuntleigh**, **GETINGE** and **MAQUET**. **ArjoHuntleigh** focuses on patient mobility and wound management solutions. **GETINGE** provides solutions for infection control within healthcare and contamination prevention within life sciences. **MAQUET** specializes in solutions, therapies and products for surgical interventions and intensive care.

---

#### ArjoHuntleigh UK – Head Office

310-312 Dallow Road, Luton,  
Bedfordshire, LU1 1TD, United Kingdom  
Sales Phone: +44 (0) 1582 745700  
Sales Fax: +44 (0) 1582 745745  
Rental 24hr Helpline Lo-call Phone: +44 (0) 8457 342000  
Rental Fax: +44 (0) 1582 745843  
Email: [sales.admin@arjohuntleigh.com](mailto:sales.admin@arjohuntleigh.com)

#### ArjoHuntleigh UK – Service and Technical Centre

St Catherine Street  
Gloucester, GL1 2SL, United Kingdom  
Phone: +44 (0) 8456 114114  
Service Fax: +44 (0) 1452 525207  
Email: [ukservice@arjohuntleigh.com](mailto:ukservice@arjohuntleigh.com)