

ARJOHUNTLEIGH

GETINGE GROUP

SLUICE ROOM SOLUTIONS



...with people in mind

PLANNING AN OPTIMISED SLUICE ROOM

Nosocomial infections are becoming more widespread and virulent. The need for effective infection control to protect residents and patients in care environments from cross-infections is greater than ever.

Hospitals and care facilities need a continuous flow of disinfected goods from their sluice rooms. The layout, equipment and working routines used in sluice rooms are decisive factors for successful infection control.

The modular design of ArjoHuntleigh sluice room elements such as cabinets, handwash stations and flusher disinfectors makes it easy to create the best solution for your facility. These elements can be combined in an ideal configuration to suit the available space, room characteristics and other particular needs. With ArjoHuntleigh as a partner, the end result is a facility-optimised layout with the four cornerstones of sluice room hygiene in place (see opposite page).

Clean hands on Clean goods

Although an efficient flusher disinfectant is a vital element in combating cross-contamination, good overall hygiene also depends on correct working routines. Hand washing is the most important infection control routine performed by carers to minimise cross-infections in care facilities.

ArjoHuntleigh promotes a core concept for infection control – Clean Hands on Clean Goods. Clean and disinfected goods must never be touched or handled with unclean hands. Touching the clean goods with unclean hands means recontamination and the risk of spreading infections increases. Hands must therefore always be disinfected before touching clean and disinfected goods.



FOUR CORNERSTONES FOR SLUICE ROOM HYGIENE

Choosing *Ninjo* or *Tornado* is a good starting point for a well-planned sluice room, but the flusher disinfector is only one of four facility features essential for maintaining working practices that ensure excellent hygiene:

1 Soiled area

This area is set aside for soiled goods and usually consists of a bench or a stainless steel discharge table. Separated from the clean spaces in the room, it acts as a temporary collection point for soiled goods. The slop hopper, used for cleaning mops and buckets, is a useful addition to the soiled area.

2 Handwash station

The handwash basin and accessories should be conveniently sited and easy to use. Hand disinfection should be obligatory before removing cleaned goods from a flusher disinfector and before leaving the sluice room.

3 Flusher disinfector

Ninjo or *Tornado* efficiently empty, clean and thermally disinfect circulation goods. The soiled goods are placed in the holder, the appropriate program is activated and after 3-7 minutes the goods are once again ready for use.

4 Clean storage area

Clean and disinfected goods that are not to be used immediately should be stored away from soiled surfaces or goods. Cupboards or racks separate from soiled areas are generally used for this purpose.

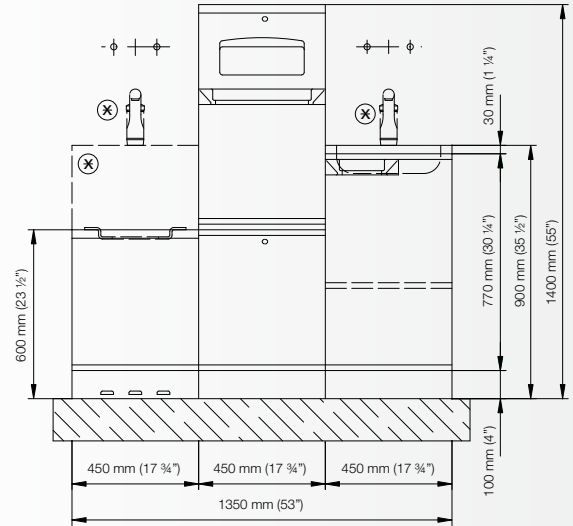


SLUICE ROOM LAYOUTS



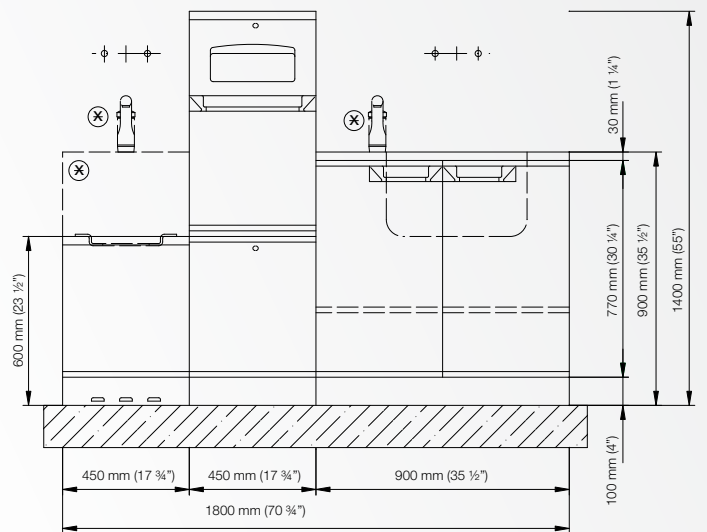
A well-planned sluice room layout designed to occupy a minimal space.

Small sluice room layout, 1350 mm (53") length

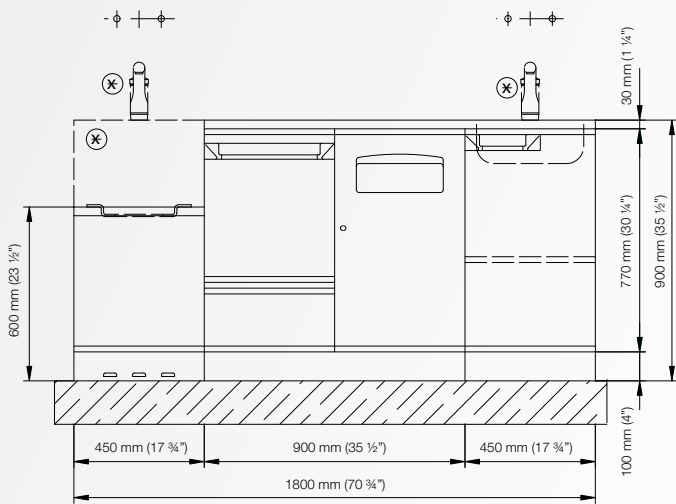


A sluice room configuration optimised for 1800 mm (70 3/4") length, with the flusher disinfector positioned at an ideal ergonomic working height.

Small sluice room layout, 1800 mm (70 3/4") length

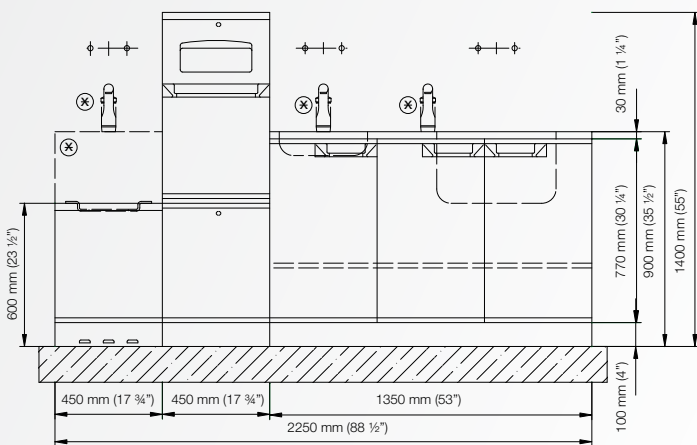


Under-counter layout, 1800 mm (70 3/4") length



A different sluice room configuration for 1800 mm (70 3/4") length, with an under-counter flusher disinfectant to maximise worktop space.

Sluice room layout, 2250 mm (88 1/2") length

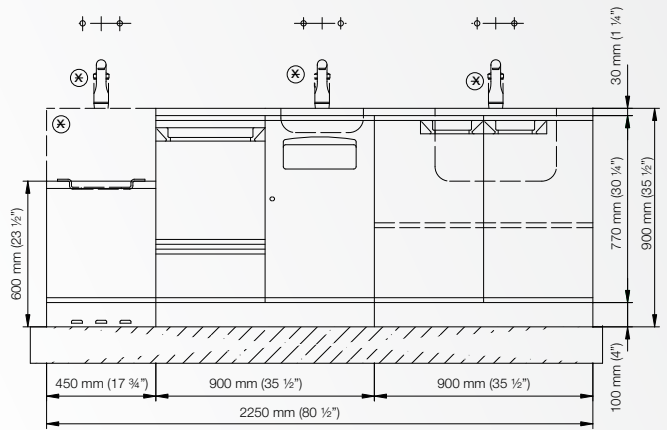


An efficient sluice room optimised for 2250 mm (88 1/2") length, with the flusher disinfectant at an ideal height for ergonomic loading routines.

SLUICE ROOM LAYOUTS



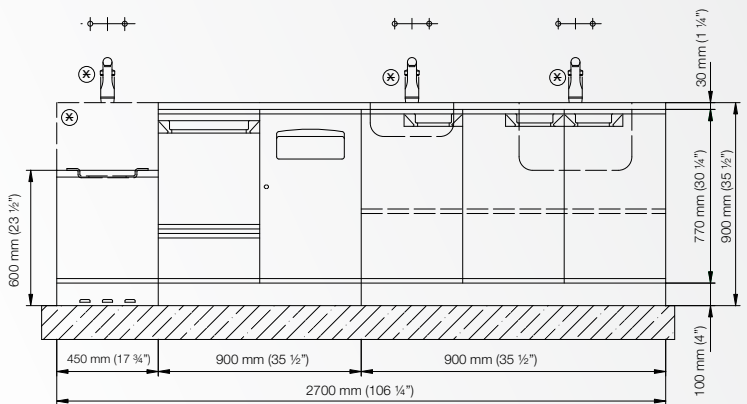
Under-counter layout, 2250 mm (88 1/2") length



Another layout variation for a 2250 mm (88 1/2") length showing the flexibility of the modular design to provide plenty of storage for clean goods in wall-mounted cabinets.

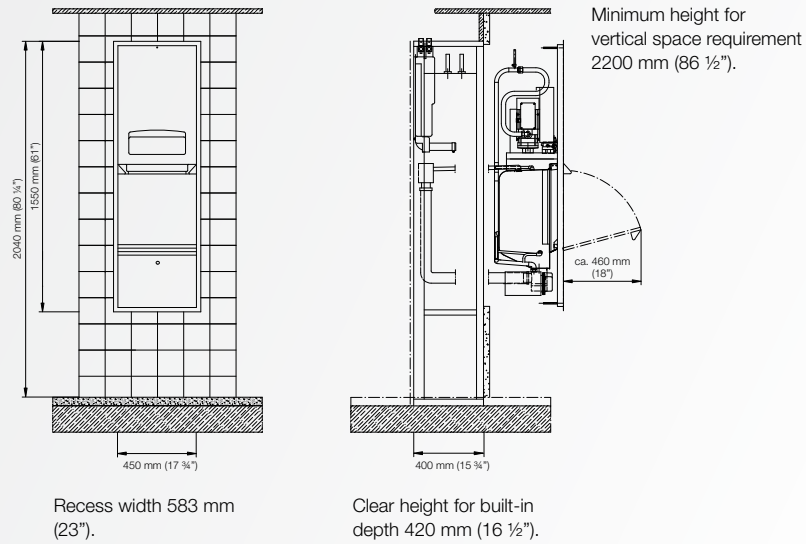


Under-counter layout, 2700 mm (106 1/4") length

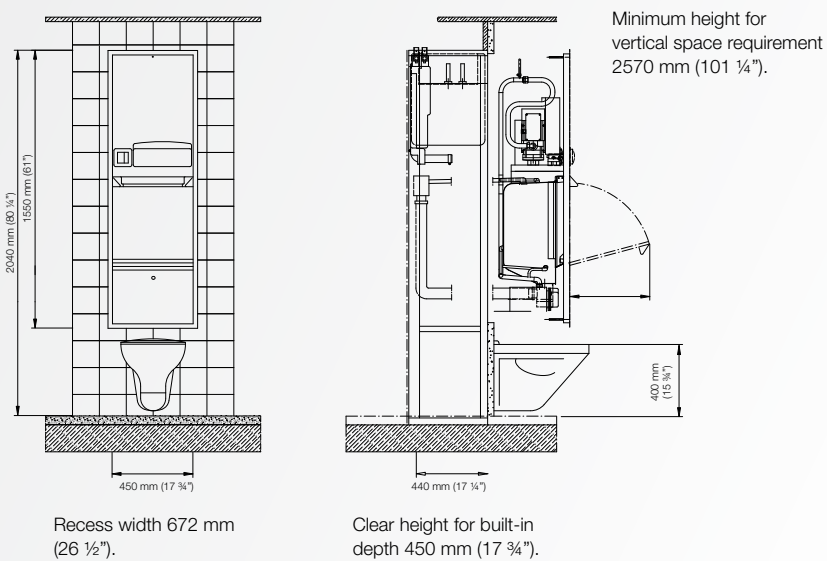


A larger sluite room layout configured for a 2700 mm (106 1/4") length

Wall-mounted layout



Wall-mounted layout with flushing toilet

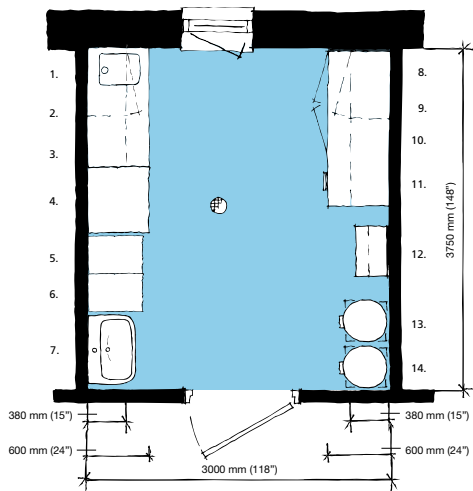


As a space-saving alternative for sluice rooms, the flusher disinfectant can be built into a wall. This unit can also be equipped with a flushing toilet.

PRODUCT SPECIFICATIONS

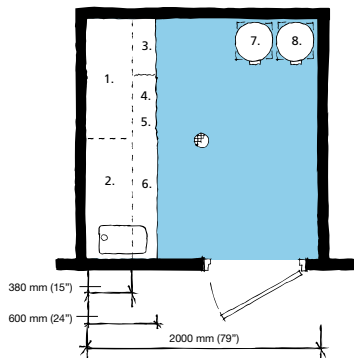
Space requirement

Layout example for large sluice room



- | | |
|---|--|
| 1. Lockable wall cabinet | 8. Lower lockable cabinets |
| 2. Sink unit with discharge table | 9. Work top |
| 3. Stainless steel shelves | 10. Heated storage cabinet |
| 4. Utensil washer disinfector | 11. Clean storage shelf |
| 5. Flusher disinfector | 12. Cleaning equipment for the sluice room |
| 6. Slop basin to empty large buckets | 13. Bag holder for dirty linen |
| 7. Hand washbasin with dispensers for liquid soap and disinfectant, disposable paper towels and waste paper bin | 14. Bag holder for refuse |

Layout example for small sluice room



- | | |
|----------------------------|---|
| 1. Clean storage shelves | 5. Sink unit with discharge table/worktop |
| 2. Lockable wall cabinet | 6. Lower cabinets |
| 3. Side-mounted slop basin | 7. Bag holder for refuse |
| 4. Flusher disinfector | 8. Bag holder for dirty linen |

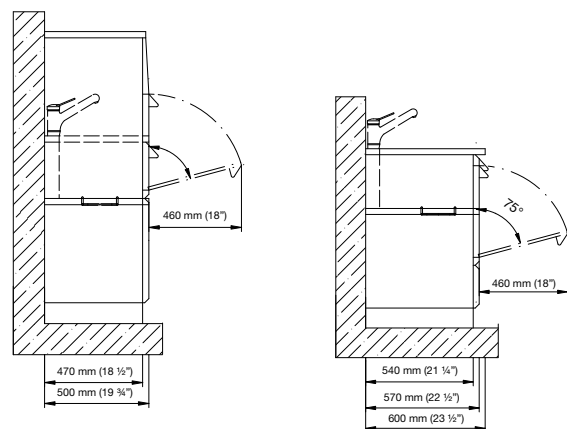
Product information

Water connection	15 mm (1/2")
Pressure	70 - 800 kPa
Rate of flow	0.3 l/s
Drain connection	90 mm (3 1/2")

Only ArjoHuntleigh designed parts, which are designed specifically for the purpose, should be used on the equipment and products supplied by ArjoHuntleigh. As our policy is one of continuous development we reserve the right to modify designs and specifications without prior notice.

© and ™ are trademarks belonging to the ArjoHuntleigh group of companies.
© ArjoHuntleigh, 2011.

Options



Flusher disinfector – positioned at ergonomic loading height.

Flusher disinfector – under-counter model.

ARJOHUNTLEIGH

GETINGE GROUP

www.ArjoHuntleigh.co.uk

GETINGE GROUP is a leading global provider of products and systems that contribute to quality enhancement and cost efficiency within healthcare and life sciences. We operate under the three brands of **ArjoHuntleigh**, **GETINGE** and **MAQUET**. **ArjoHuntleigh** focuses on patient mobility and wound management solutions. **GETINGE** provides solutions for infection control within healthcare and contamination prevention within life sciences. **MAQUET** specializes in solutions, therapies and products for surgical interventions and intensive care.

ArjoHuntleigh UK – Head Office

310-312 Dallow Road, Luton,
Bedfordshire, LU1 1TD, United Kingdom
Sales Phone: +44 (0) 1582 745700
Sales Fax: +44 (0) 1582 745745
Rental 24hr Helpline Lo-call Phone: +44 (0) 8457 342000
Rental Fax: +44 (0) 1582 745843
Email: sales.admin@huntleigh-healthcare.com

ArjoHuntleigh UK – Service and Technical Centre

St Catherine Street
Gloucester, GL1 2SL, United Kingdom
Phone: +44 (0) 8456 114114
Service Fax: +44 (0) 1452 525207
Email: ukservice@arjo.co.uk