

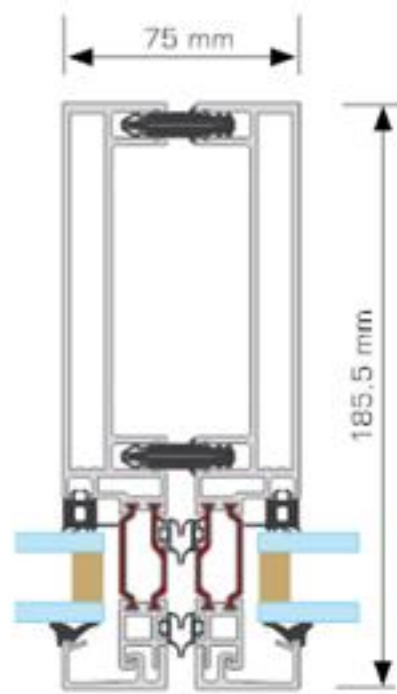
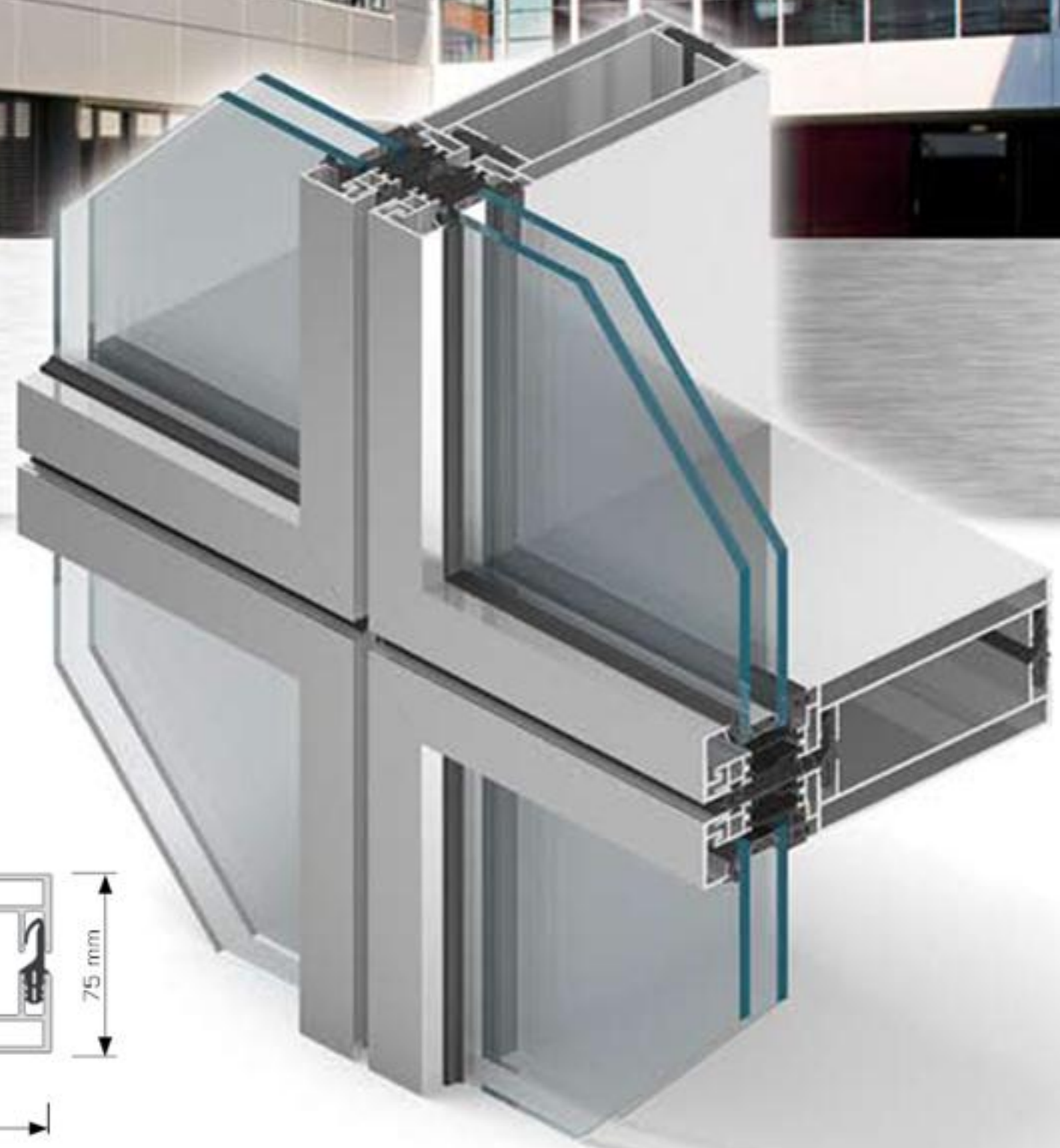
• Fast track installation

• Simplified fabrication

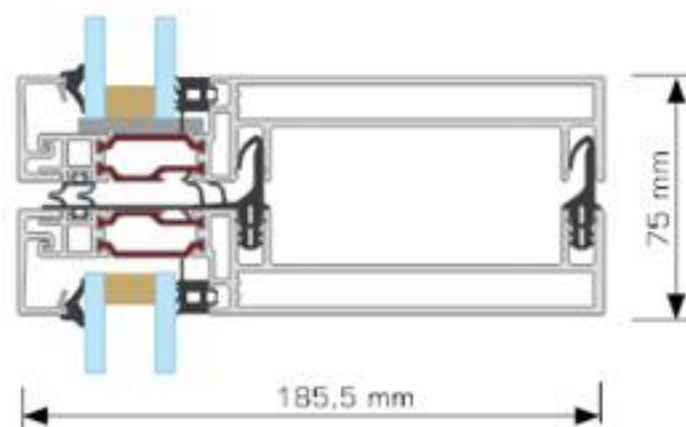
• Design flexibility

Unitised curtain wall

MB-SE75



Mullion cross-section



Transom cross-section

The MB-SE75 unitised curtain wall offers the advantage of unitised assembly giving the construction team a distinctive exceptional set of advantages. These include factory fabrication that allows for additional quality control, fast on site installation without the need for expensive and time consuming scaffolding and both outer and inner modern look. It enables to meet fast paced construction schedules as it requires only limited access to assembly therefore building can be refurbished with residents still being in it.

MB-SE75 / MB-SE75 HI

The MB-SE75 system gives architects a wide selection of styles to create individual and stimulating building walls. It is capable of being used in any new construction project from two floors upward. The system is available in regular and advanced thermal insulation varieties. The latter uses special EPDM inserts to increase its insulating properties.

FEATURES AND BENEFITS

- the system accommodates glass or infill panels up to 42 mm
- great variety of opening elements in the façade - windows and doors with enhanced thermal insulation, concealed vent

TECHNICAL SPECIFICATION	MB-SE75 / MB-SE75 HI
Size and width	
Depth mullions	85 - 145 mm
Depth transoms	84,5 - 144,5 mm
Inertia mullions	101,2 - 366,1 cm ⁴
Inertia transoms	143,1 - 523,7 cm ⁴
Glazing width	24 - 42 mm

PERFORMANCE	MB-SE75 / MB-SE75 HI
Air Permeability	class AE1200 (1200Pa); EN 12153:2003; EN 12152:2004
Windload resistance	2400 Pa; EN 12179:2002U; EN 13116:2002U
Impact resistance	class I5/E5 (950N / 950N); EN 14019:2004
Watertightness	class RE1200 (1200Pa); EN 12155:2003; EN 12154:2004
Thermal insulation	from 1,5 W/m ² K
Acoustic insulation	to 40 dB