

**NEW
&
INNOVATIVE**

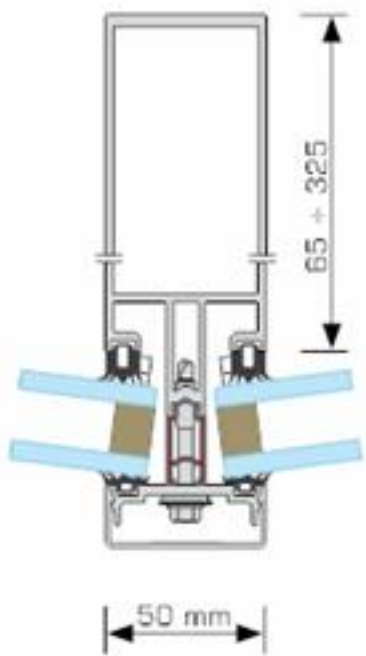
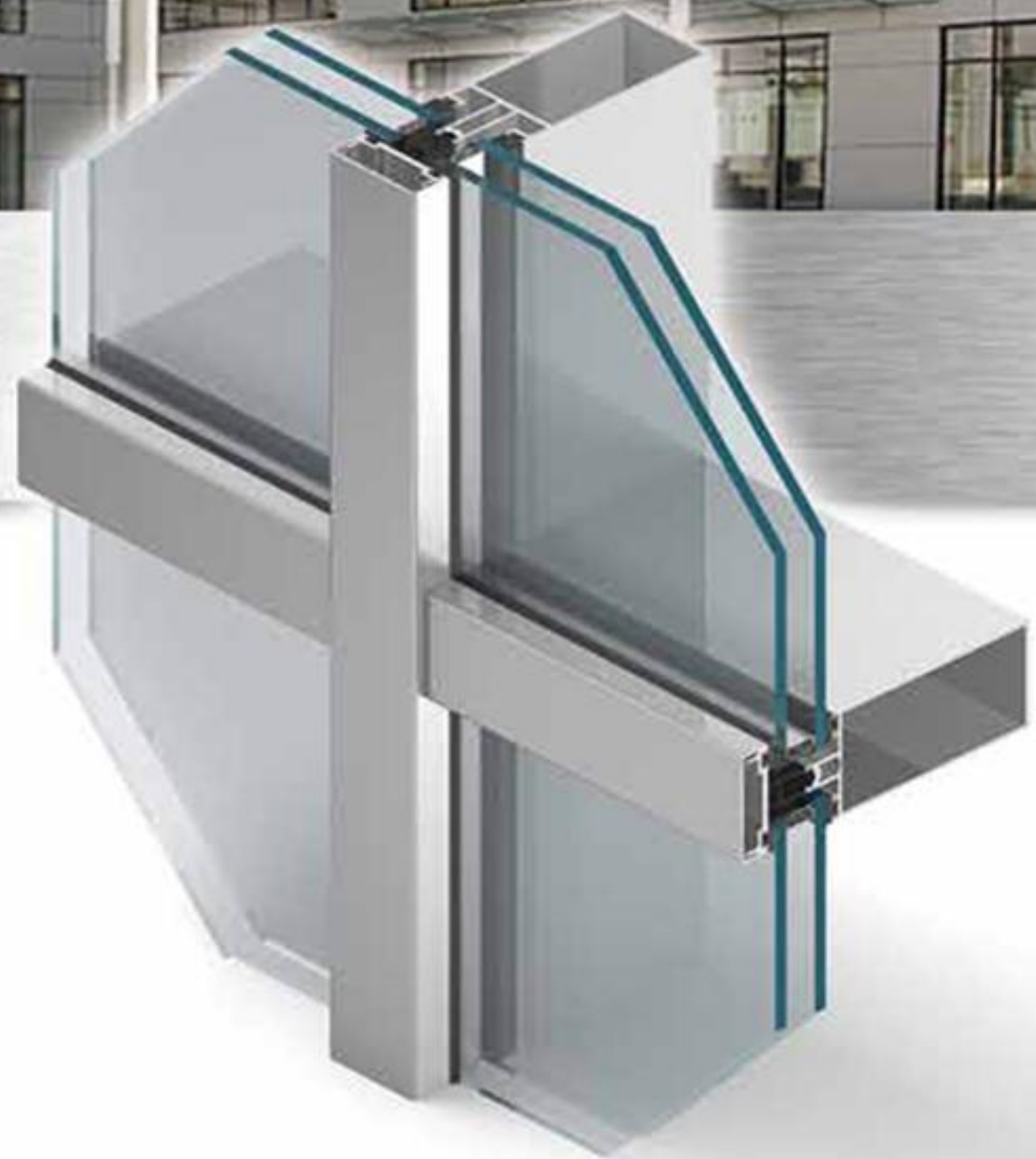
• High thermal insulation

• Large unit sizes

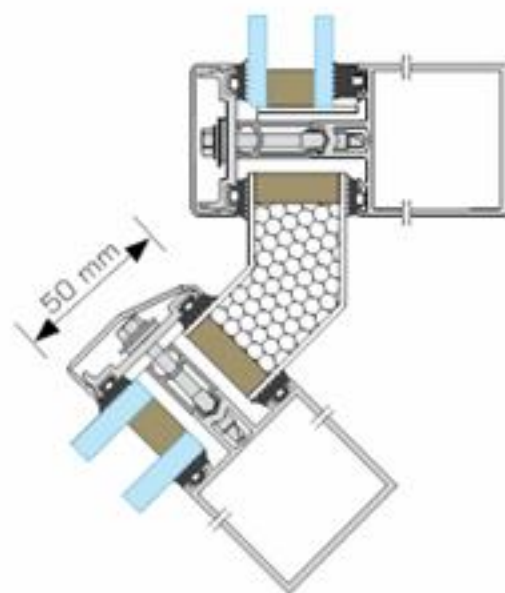
• Modern look

Curtain Wall System

MB-SR50N



Mullion cross-section +7.5°



Roof - transom cross-section

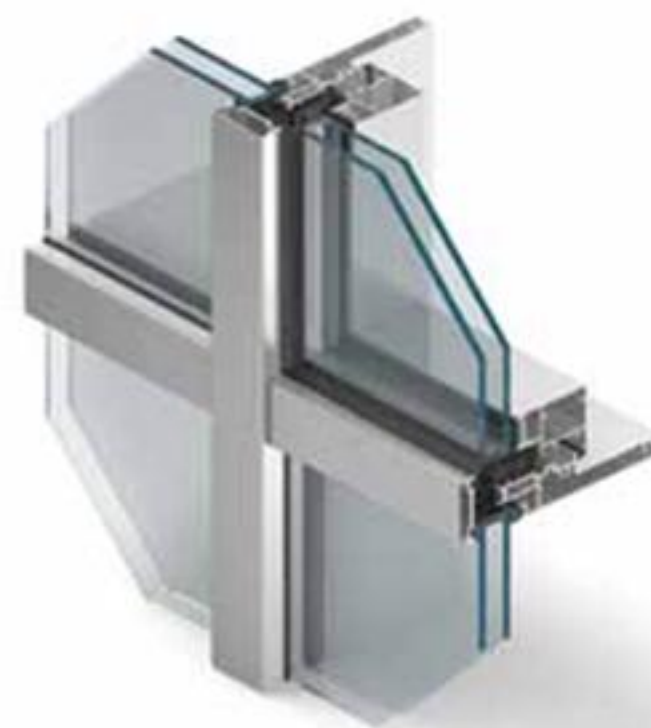
The new and improved MB-SR50N curtain wall system has been designed to meet the market needs for improved thermal insulation and higher load resistance that enables larger unit sizes. The system is available in variety of mullion and transom depths and greater selection of connectors which combined with thermal breaks, aesthetic external capping and renewed shape of mullions and transoms featuring straight angle corners provide flexibility of design and outstanding performance.

MB-SR50N

The base system variety features selection of solutions that enable the specifier and architect to give the building its individual style from the horizontal cap (MB-SR50N PL) that enables to highlight the horizontal or vertical features across the building envelope to semi structural version (MB-SR50N EFEKT). It also includes the parallel opening type of windows (MB-SR50 OOW).

MB-SR50N HI

The enhanced thermal insulation variety that features the U_f from $0,9 \text{ W/m}^2\text{K}$. Available with larger variety of mullions and transoms it allows for greater mullions inertia and therefore bigger length among curtain wall anchorages. It also features the ability to employ larger and thicker glass panels.

MB-SR50 IW

The Concealed Vent top hung opening gives the seamless appearance to the curtain wall. There are three varieties available using standard slats and flat slats and EFEKT like construction.

FEATURES AND BENEFITS

- enhanced thermal insulation - U_f from $0,9 \text{ W/m}^2\text{K}$
- glazing up to 52 mm
- sharp edges of mullion and transom profiles - clean, sharp lines of framing
- semi structural EFEKT option
- horizontal and vertical capping options
- parallel window option
- compliance with CE marking requirements

TECHNICAL SPECIFICATION	MB-SR50N	MB-SR50N HI	MB-SR50 IW
Mullions depth (range mm)	65 - 325	65 - 225	85 - 125
Transom depth (range mm)	5 - 189,5	20 - 189,5	89,5 - 129,5
Inertia mullions (range I_x)	54,62 - 4123,45 cm^4	54,6 - 1222,14 cm^4	99,87 - 245,70 cm^4
Inertia transoms (range I_z)	0,79 - 629,54 cm^4		87,37 - 205,98 cm^4
Glazing width (mm)	24 - 52		24 - 36

PERFORMANCE	MB-SR50N	MB-SR50N HI	MB-SR50 IW
Air Permeability	AE1050 (1050Pa) EN 12153:2003; EN 12152:2002	AE1200 (1200Pa) EN 12153:2003; EN 12152:2002	
Wind load resistance	2400Pa / EN 12179:2002; EN 13116:2002		2400Pa / EN 12179:2002; EN 13116:2002
Impact resistance	I5/E5 (950N / 950N) PN-EN 14019		
Watertightness	RE1500 (1500Pa) EN 12155:2003; EN 12154:2002		RE1200 (1200Pa) EN 12155:2003; EN 12154:2002
Thermal insulation U_f	from $1,4 \text{ W/m}^2\text{K}$	from $0,9 \text{ W/m}^2\text{K}$	from $1,6 \text{ W/m}^2\text{K}$